



Quick Installation Guide

5/8-Port 2.5G Ethernet Switch With 2*10G SFP+ Slots

TEM2007X/TEM2010X

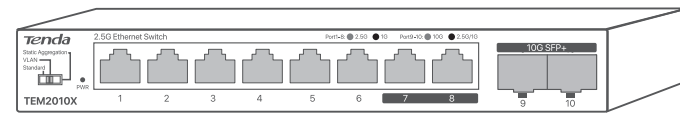
Install the device

■ Preparations

- Desktop mounting: ESD bracelet or gloves
- Wall mounting: ESD bracelet or gloves, screwdriver, spirit level, marker, hammer drill, rubber hammer, ladder, 2 screws (thread diameter: 3 mm, length: 14 mm; Head diameter: 5.2 mm), 2 expansion bolts (height: 6.6 mm, inner diameter: 2.4 mm, length: 26.4mm).

■ Desktop mounting

Horizontally place the switch right-side up on a big enough, clean, stable and flat desktop.



Example: TEM2010X

■ Wall mounting

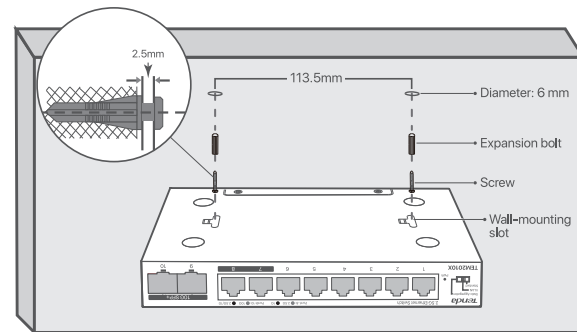


- Note**
- The switch can only be installed on non-flammable walls, such as a concrete wall.
 - Do **NOT** install the switch with air vents facing downward; otherwise, there will be potential safety hazards.

1. Use a hammer drill to drill 2 holes (diameter: 6 mm) on the wall and the distance between the 2 holes is 113.50 mm. Keep the two holes on a horizontal line.
2. Knock the expansion bolts into the holes using a rubber hammer. Use a screwdriver to fix the screws into the expansion bolts.

The distance between the inside surface of the screw header and the edge of the expansion bolt should not be less than 2.5 mm, to make sure that the switch can be hung on the screws firmly.

3. Align the two wall-mounting slots on the bottom of the switch with the two screws on the wall, and then slide the switch to fit in the screws until it is firmly hung on the screws.



Example: TEM2010X

Package contents

- Switch × 1
- Power adapter × 1
- Expansion bolt (height: 6.6 mm, inner diameter: 2.4 mm, length: 26.4mm) × 2
- Screw (thread diameter: 3 mm, length: 14 mm, head diameter: 5.2 mm) × 2
- Quick installation guide

TEM2010X is used for illustrations here unless otherwise specified. The actual product prevails.

LED indicators

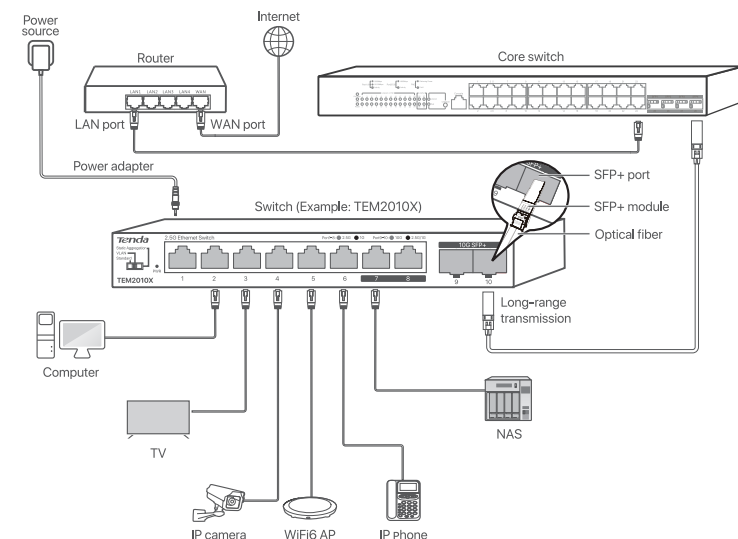
LED indicator	Description
PWR	Solid on: Powered on Off: Powered off
Link/Act (RJ-45 port)	Solid on: Connected but without data transmitting Blinking: Connected and data transmitting Off: Not connected
*Above the RJ-45 port, the left side is 2.5G, and the right side is 1G. Link/Act (SFP+ slot) *Under the SFP+ slot	Tip - Link/Act (RJ-45 port) : Green light indicates the port negotiation rate is 2.5 Gbps. Orange light indicates the port negotiation rate is 1 Gbps or 100 Mbps. - Link/Act (SFP+ slot) : Green light indicates the port negotiation rate is 10 Gbps. Orange light indicates the port negotiation rate is 2.5 Gbps or 1 Gbps.

Typical network topologies

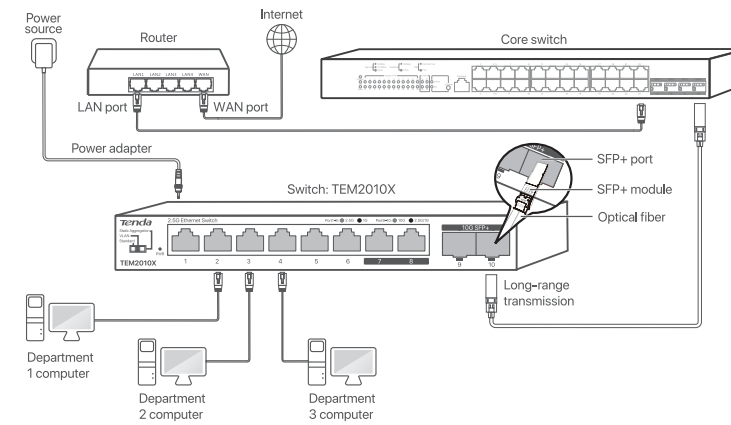


- Tip**
- The SFP+ ports on the switch are an independent SFP+ port.
 - The switch supports auto MDI/MDIX. You can connect the switch to Ethernet devices by using either a straight-through cable or a crossover cable.

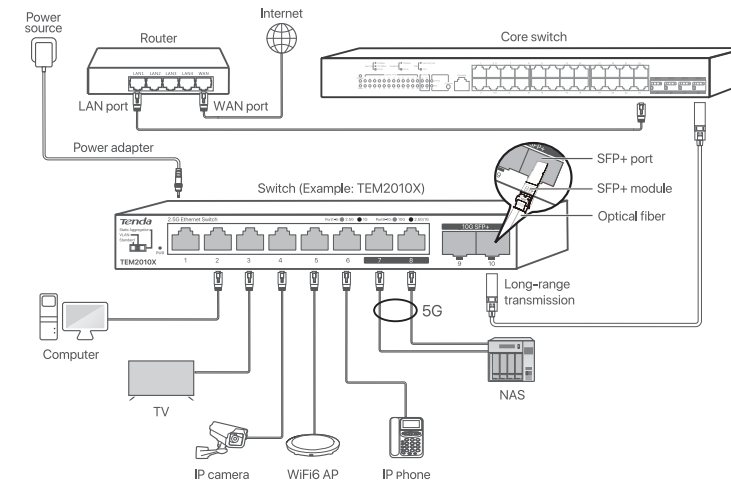
■ Standard mode (default)



■ VLAN mode (for TEM2010X)



■ Static aggregation mode (for TEM2010X)



FAQ

Q1: The PWR LED indicator does not light up. What should I do?

- Ensure that the power adapter is connected to the switch and the power socket properly.
- Ensure that the power socket is powered on.
- Ensure that the input voltage matches the value required by the switch.

Q2: The Link/Act LED indicator of the switch is off. What should I do?

- Ensure that the cable between the switch and the attached device is connected properly.
- Ensure that the cable is not damaged, and the length of the cable meets the requirements.
- Ensure that the switch is powered on.
- Ensure the connected device is powered on and working properly.

Get support and services

For technical specifications, user guides and more information, please visit the product page or service page on www.tendacn.com. Multiple languages are available. You can see the product name and model on the product label.



<https://www.tendacn.com/service/default.html>



RECYCLING

This product bears the selective sorting symbol for Waste electrical and electronic equipment (WEEE). This means that this product must be handled pursuant to European directive 2012/19/EU in order to be recycled or dismantled to minimize its impact on the environment. User has the choice to give his product to a competent recycling organization or to the retailer when he buys a new electrical or electronic equipment.

Safety precautions

Before operating, read the operation instructions and precautions to be taken, and follow them to prevent accidents. The warning and danger items in other documents do not cover all the safety precautions that must be followed. They are only supplementary information. The installation and maintenance personnel need to understand the basic safety precautions to be taken.

- The device is for indoor usage only.
- For desktop mounting, the device must be horizontally mounted for safe use.
- For wall mounting, the device is only suitable for mounting at heights ≤ 2m.
- Operating environment: Temperature: 0°C - 40°C; Humidity: (10% - 90%) RH, non-condensing; Storage environment: Temperature: -40°C - 70°C; Humidity: (5% - 90%) RH, non-condensing.
- Clean only with dry cloth.
- Do not block any ventilation openings, such as newspapers, tablecloths, curtains.
- Do not install near any heat sources such as radiators, heat registers, stoves or other apparatus that produce heat.
- Do not damage the ground conductor or operate the device in the absence of well-installed ground conductor. Conduct the appropriate electrical inspection. Refer to the **Lightning Protection Guide** at the official website for instructions.
- Protect the power cord from being walked on or pinched particularly at the plugs, convenience receptacles and at the point where they exit from the device.
- Only use attachments/accessories specified by the manufacturer.
- Unplug this device when unused for long periods.
- The mains plug is used as the disconnect device and shall remain readily operable.
- Warning: To reduce the risk of fire or electric shock, do not expose this apparatus to rain or moisture. The apparatus shall not be exposed to dripping or splashing.
- Warning: To reduce the risk of electric shock, do not remove cover as there no user-serviceable parts inside.
- Refer all servicing to qualified service personnel. Servicing is required when the apparatus has been damaged in any way, such as power-supply cord or plug is damaged, liquid has been spilled or objects have fallen into the apparatus, the apparatus has been exposed to rain or moisture, does not operate normally, or has been dropped.

For the latest safety precautions, see **Safety and Regulatory Information** on www.tendacn.com

Technical Support

Shenzhen Tenda Technology Co., Ltd.
Floor 6-8, Tower E3, No.1001, Zhongshanyuan Road, Nanshan District, Shenzhen, China. 518052
Website: www.tendacn.com

- E-mail: support@tenda.com.cn
support.us@tenda.cn (North America) support.de@tenda.cn (Deutsch)
support.uk@tenda.cn (United Kingdom) support.fr@tenda.cn (Français)
support.it@tenda.cn (Italiano) support.es@tenda.cn (Español)

Copyright

© 2023 Shenzhen Tenda Technology Co., Ltd. All rights reserved.
Tenda is a registered trademark legally held by Shenzhen Tenda Technology Co., Ltd. Other brand and product names mentioned herein are trademarks or registered trademarks of their respective holders. Specifications are subject to change without notice.



CE Mark Warning

This is a Class A product. Warning: Operation of this equipment in a residential environment could cause radio interference. In which case the user may be required to take adequate measures.

NOTE: (1) The manufacturer is not responsible for any radio or TV interference caused by unauthorized modifications to this equipment. (2) To avoid unnecessary radiation interference, it is recommended to use a shielded RJ45 cable.

Declaration of Conformity

Hereby, SHENZHEN TENDA TECHNOLOGY CO., LTD. declares that the device is in compliance with directives 2014/35/EU and 2014/30/EU.

The full text of the EU declaration of conformity is available at the following internet address: <https://www.tendacn.com/download/list-9.html>



FCC Statement

This equipment has been tested and found to comply with the limits for a Class A digital device, pursuant to Part 15 of the FCC Rules. These limits are designed to provide reasonable protection against harmful interference when the equipment is operated in a commercial environment. This equipment generates, uses, and can radiate radio frequency energy and, if not installed and used in accordance with the instruction manual, may cause harmful interference to radio communications. Operation of this equipment in a residential area is likely to cause harmful interference in which case the user will be required to correct the interference at his own expense.

Operation is subject to the following two conditions: (1) this device may not cause harmful interference, and (2) this device must accept any interference received, including interference that may cause undesired operation.

Caution!

Any changes or modifications not expressly approved by the party responsible for compliance could void the user's authority to operate the equipment.

NOTE: (1) The manufacturer is not responsible for any radio or TV interference caused by unauthorized modifications to this equipment. (2) To avoid unnecessary radiation interference, it is recommended to use a shielded RJ45 cable.

